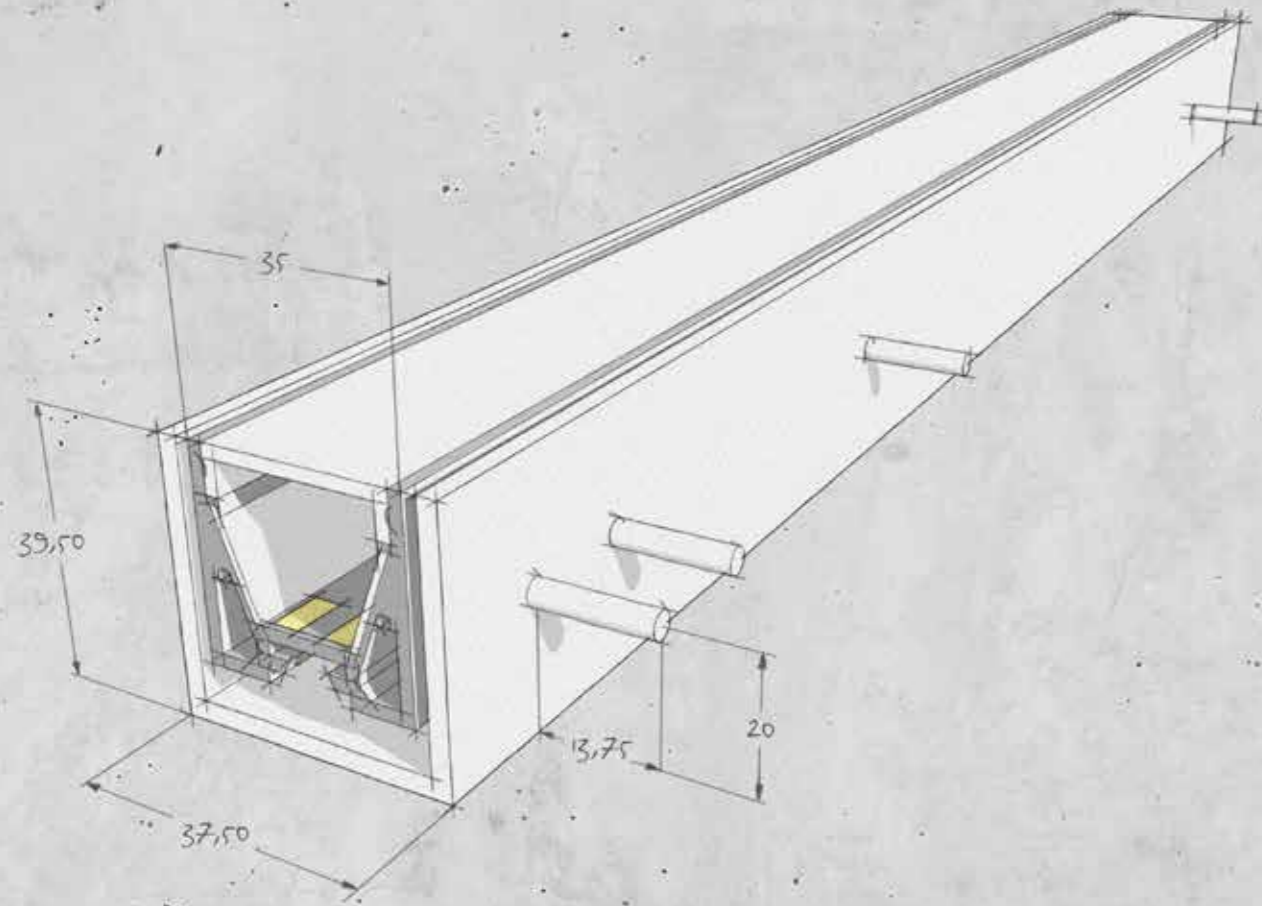


PALERMO BE



THE RECESSED PROFILE FOR
THE INTEGRATION OF LINEAR LIGHT LINES
IN ARCHITECTURAL CONCRETE



LIGHTING SOLUTIONS
FOR CEILINGS AND WALLS
MADE WITH ARCHITECTURAL CONCRETE

PROJECT PLANNING: M-Quadrat Möbel und Mehr. PHOTOGRAPHER: Albrecht Imanuel Schnabel

VERSION 03|2020

© JOSEF BARTHELME GMBH & CO. KG
Oedenberger Straße 149 | 90491 Nuremberg | Germany
T +49 911 42476 77 E sales@barthelme.de

BARTHELME.DE



Barthelme
LED Solutions

The PALERMO BE recessed concrete profile offers you new possibilities in the design of lighting concepts. With this lighting system you can integrate perfectly uniform light lines, flush with the walls and ceilings, into architectural concrete.

The PALERMO BE is designed to incorporate project-specific linear luminaires of Barthelme, which are inserted into the profile with special magnetic holders after the profile has been installed.

PROFILE INSTALLATION

PRACTICALLY EXPLAINED

The first step is to determine the exact dimensions and location of the luminaire in the construction plan. It is important to pay attention to possible construction tolerances. Before commencing the installation work, the various dimensions should be checked and exactly matched to the building plan. Do not build over expansion joints.

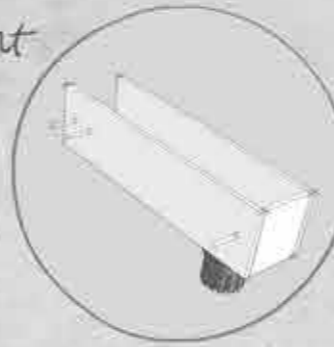


Align the supplied multiplex boards exactly to the desired light integration points and screw them tightly to the formwork. Then press the concrete installation profile PALERMO BE onto the multiplex board and fasten it with the screws supplied.

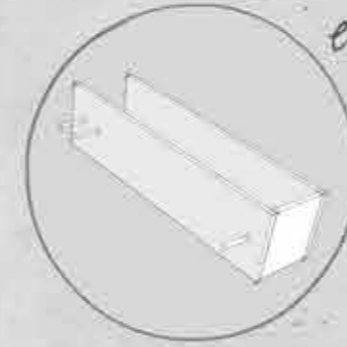


After casting the concrete and removal of the formwork panels with the multiplex boards, the shape of the light line becomes visible. Now the linear individual luminaires can be inserted into the concrete installation profile PALERMO BE. The magnetic holders ensure that the corresponding luminaires fit precisely and securely in the right place.

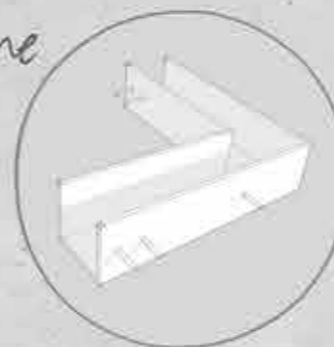
in-feed segment



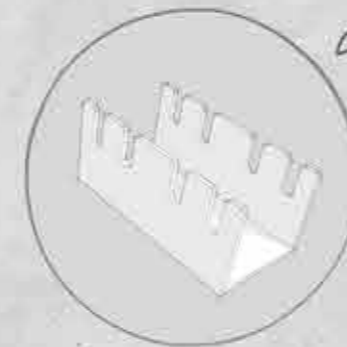
end section



90° corner frame



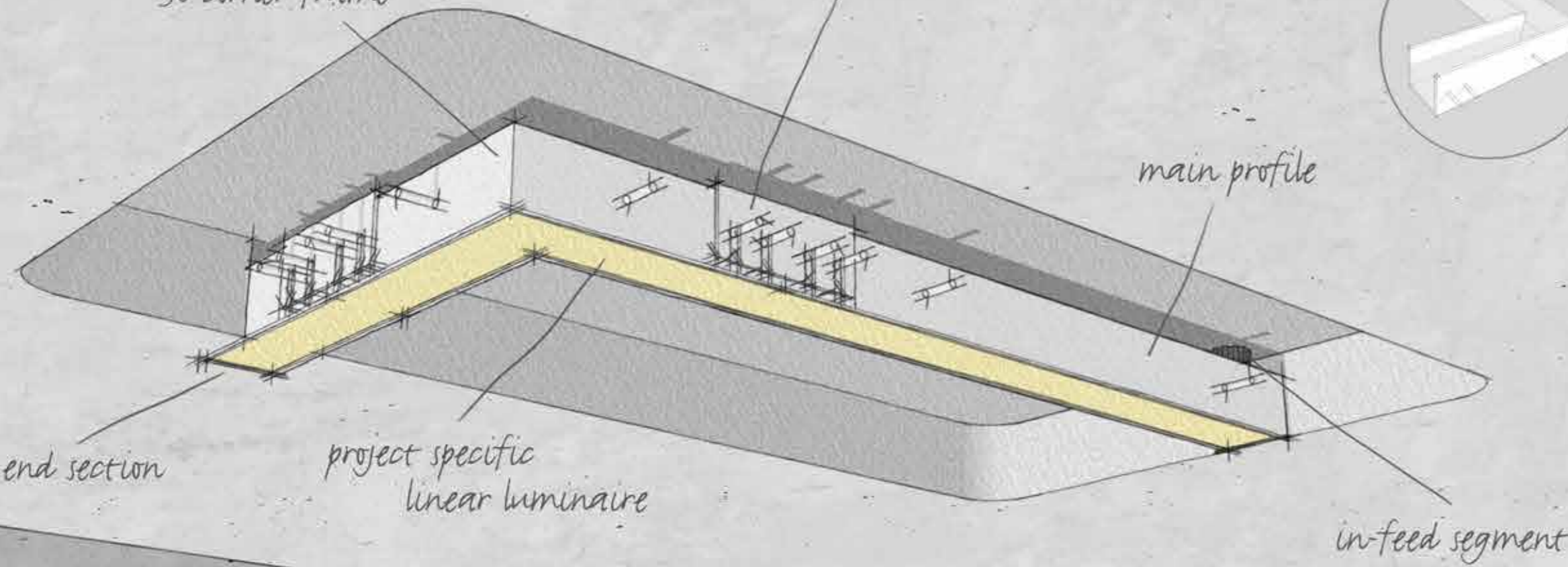
connecting element



90° corner frame

connecting element

main profile



The shape and length of the light lines are specified during the planning of this lighting solution in the structural engineering phase. The light and luminaire design can be individually adapted and, thanks to the magnetic holders, can also be subsequently altered if desired.

The PALERMO BE modular system includes the main profile, a 90° corner frame, a connecting element, an end section and mounting accessories. The main profile can be shortened to the desired length. The connecting element also makes it possible to combine individual lengths of the main profile together.

In this way, light lines can be implemented that exceed the maximum available length of the main profile. Thanks to the 90° corner frame, geometric shapes such as squares or rectangles can be created, which will later be used to accommodate the linear luminaires.