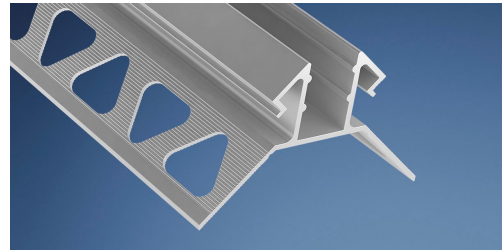


Lugano tile profile

- high quality aluminium tile corner profile, anodised
- for fixed installation in inner or outer corners
- ideal for the accentuation of all types of moist areas such as spas or showers
- for insertion of the water resistant, fully encapsulated light lines AQUALUC C:URVE Standard/Bright/High Brightness (tile thickness 10 mm) and AQUALUC C:URVE mini (tile thickness 8 mm)
- we recommend 3M double-sided adhesive tape for a secure and durable mounting of the AQUALUC C:URVE or AQUALUC C:URVE mini (Art. 30033009)



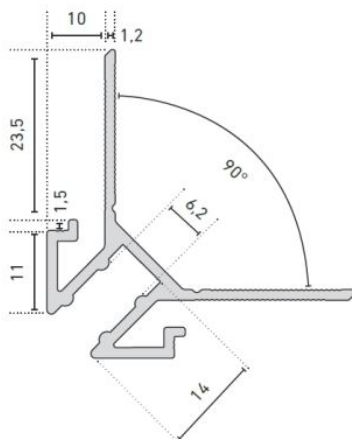
Please refer to the notes on expansion and assembly at the end of the data sheet!

ALUMINIUM PROFILE

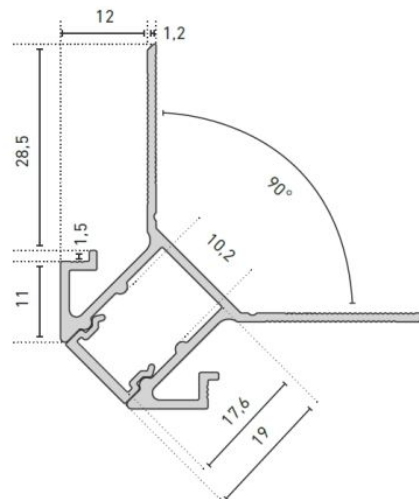
| | 62398112 | 62398113 | 62398132 | 62398133 | 62398162 | 62398163 | 62398172 | 62398173 |
|--------------------|-------------------------------------|----------|------------------------------------|----------|--------------------------------------|----------|-------------------------------------|----------|
| Description | Corner outside, Tile thickness 8 mm | | Corner inside, Tile thickness 8 mm | | Corner outside, Tile thickness 10 mm | | Corner inside, Tile thickness 10 mm | |
| Colour | aluminium | | | | | | | |
| Length | 2000 mm | 3000 mm | 2000 mm | 3000 mm | 2000 mm | 3000 mm | 2000 mm | 3000 mm |
| Width | 45 mm | | 63 mm | | 53 mm | | 70 mm | |
| Height | 33 mm | | 27 mm | | 38 mm | | 31 mm | |
| Material | Aluminium 6063 | | | | | | | |
| Finish | anodised | | | | | | | |
| Remarks | für AQUALUC C:URVE mini | | | | incl. opal diffuser | | | |

DIMENSIONED DRAWINGS

6239811X
AUSSENECK FÜR C:URVE MINI 8 MM-FLIESE | OUTER CORNER FOR C:URVE MINI 8 MM TILE

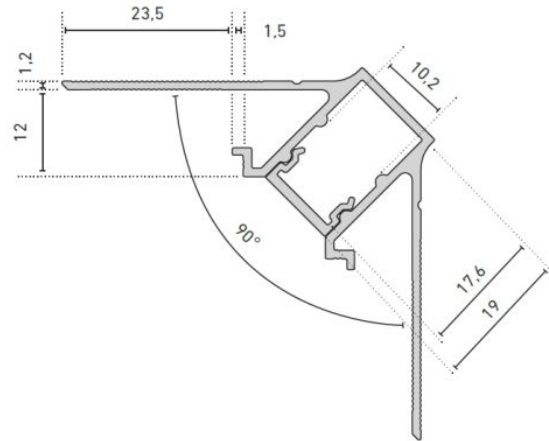
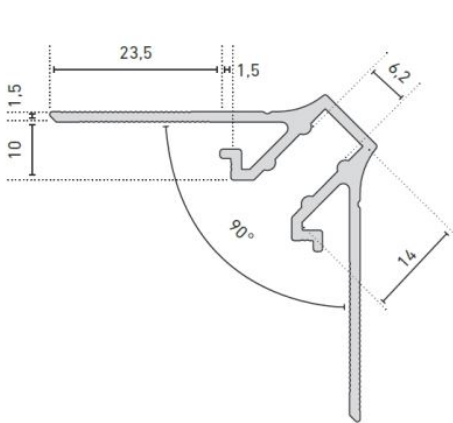


6239812X AUSSENECK FÜR C:URVE (ABMESSUNG: 10 x 18,5 mm) UND DIE LEDLIGHT FLEX IP66-MFC LED-STREIFEN 10 MM-FLIESE | OUTER CORNER FOR (DIMENSIONS: 10 x 18.5 mm) AND THE LEDLIGHT FLEX IP66-MFC LED STRIP 10 MM TILE

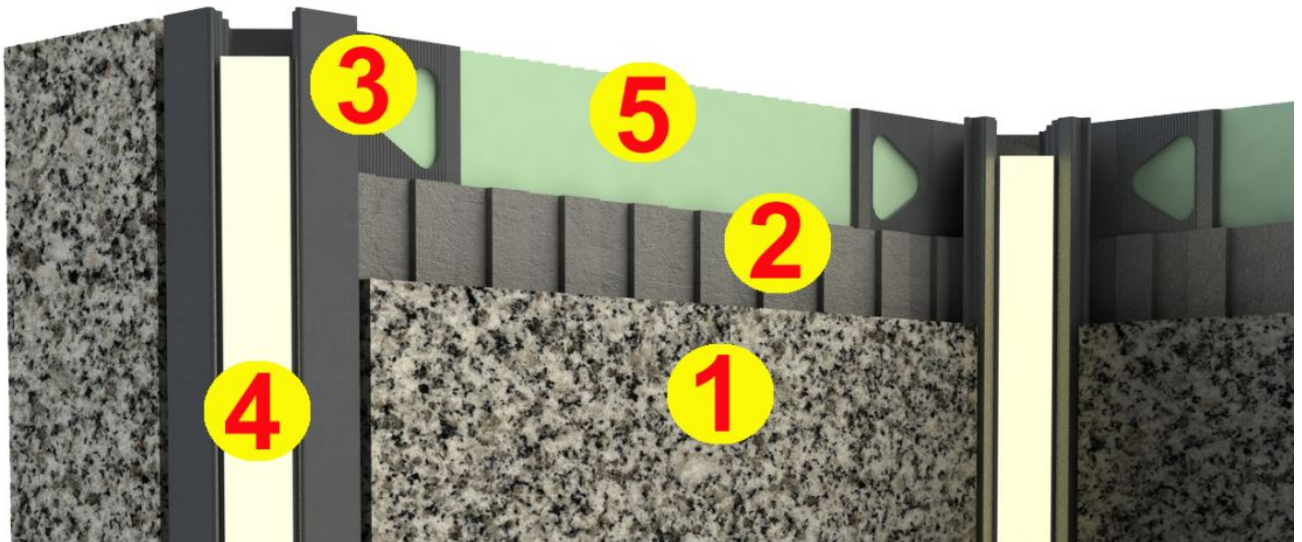


6239813X
INNENECK FÜR C:URVE MINI 8 MM-FLIESE | INNER CORNER FOR C:URVE MINI 8 MM TILE

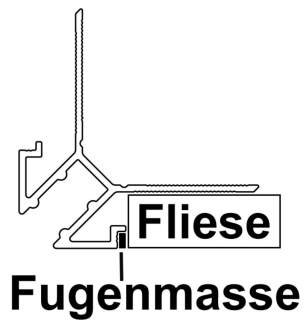
6239814X INNENECK FÜR C:URVE (ABMESSUNG: 10 x 18,5 mm) UND DIE LEDLIGHT FLEX IP66-MFC LED-STREIFEN 10 MM-FLIESE | INNER CORNER FOR C:URVE (DIMENSIONS: 10 x 18,5 mm) AND THE LEDLIGHT FLEX IP66-MFC LED STRIP 10 MM TILE



MOUNTING



1 = Fliese / 2 = Fliesenkleber / 3 = Lugano Aluminiumprofil / 4 = Lugano Abdeckung / 5 = Rigipsplatte bzw. Untergrund



ACCESSORIES

| | 30033005 | 30033009 | 62398152 | 62398153 |
|--------------------|---|--|---|--|
| Description | double-sided adhesive tape, heat resistant, with excellent adhesive properties, 33 m x 5 mm, for 8mm tile | heat resistant double-sided tape, with excellent adhesive properties | aluminium anodized | LUGano tile profiles, cover opal white, 10 mm tile, PC |
| Material | Acryl | | polycarbonate | |
| Colour | | | opal white | |
| Length | 33000 mm | | 2010 mm | 3020 mm |
| Width | 5 mm | 9 mm | 11,6 mm | |
| Height | 0,4 mm | | 6,6 mm | |
| Remarks | 33 m x 5 mm | 33 m x 9 mm | for homogeneous and glare-free light distribution | |

NOTES

All aluminium profiles and covers are subject to certain length tolerances. This is +20/-0 mm irrespective of the length, i.e. a profile has at least the specified length, but can be up to 20 mm longer.

If you require an exact length, please specify this when ordering (article number 62397000).

Please note that the materials aluminum and PC can expand when the temperature changes vary greatly. With a temperature change of 20°C the expansion difference can be up to 1.2 mm per meter! This is no deficiency of the product but a normal physical process.

Installation note: If you directly install two aluminum profiles edge to edge (without end caps), please pay attention during installation, that you don't glue the LED strip directly over the joint, since the profiles at temperature fluctuations - especially at large lengths - will expand/contract (s. section 1) and then the LED tape may be damaged. At joints the LED strip has to be cut at the marked positions and reconnected with flexible solder bridges with corresponding expansion reserve (min. 5mm).

To be urgently observed:

- Before installation, the dimension "10.2mm" must be checked for correctness at at least 3 points (beginning, middle and end of the profile) to rule out transport damage. Tolerance +/-0.2mm (cover installed).
- Ensure that the aluminium profile is installed stress-free.
- Installation in the wall/corner may only be undertaken with the cover installed (pre-assembled).
- The cover may only be deinstalled after the wall/corner has hardened.

Non-observance of these instructions can lead to deformation of the aluminium, so that the luminant can no longer be installed.

Press marks or slight scratches on profiles are production-related and do not constitute a defect.

Loose, wipeable impurities may appear on the aluminum and plastic profiles. This is due to the production and its handling and does not represent a defect. We generally recommend cleaning the profiles with a soft, lint-free cloth (if necessary with a little clear water) before installation. The LED bonding surface must also be free of grease to ensure good adhesion of the LED strip. Corresponding information can be found in the instructions for the LED strips.

The adhesion of our LEDlight flex strips to the profiles we offer and their different surfaces has been tested and can be ensured if the processing instructions are followed. If there are adhesion problems between LED strips and aluminum profiles, we recommend pre-treatment with the adhesion promoter "3M™ Tape Primer 94".

The guarantee period for the product is 5 years and begins on the day of shipment. Reference is the date of the delivery bill. The guarantee period may differ for accessories.