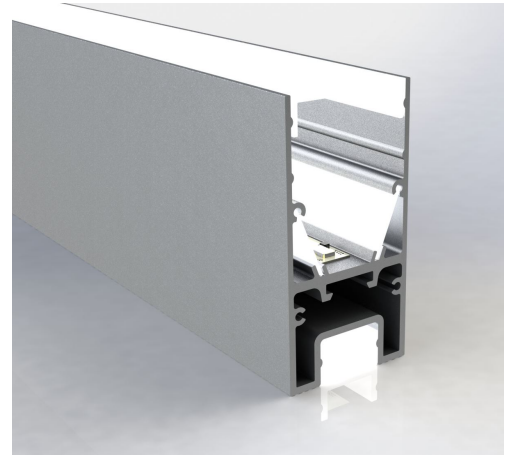


CATania 3060 DUO luminaire profile

- high quality aluminium luminaire profile, anodised
- flexibly useable as surface-mounted or luminaire profile
- LED strips can be integrated on both sides for direct and indirect lighting
- in combination with the optional reflector stripe the light output can be increased by up to 20 %
- in combination with an opal white diffuser and compatible LEDlight flex , a homogenous light distribution can be achieved
- RAL powder coating on request



Please refer to the notes on expansion and assembly at the end of the data sheet!

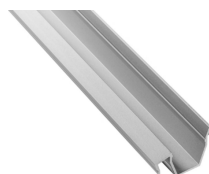
ALUMINIUM PROFILE

	62398791	62398792	62398793	62398795
Description	aluminium anodized			
Length	1000 mm	2010 mm	3020 mm	5030 mm
Width	30 mm			
Height	60 mm			
Colour	aluminium			
Material	Aluminium EN AW 6060			
Finish	anodised			
Weight	893 gr	1795 gr	2697 gr	4492 gr

INLAY

	62398821	62398841
Description	CATania 30 insert profile for mounting of LED PCBs with a maximum width of 23.5 mm	CATania insert profile, asymmetrical, for mounting the LEDlight flex family, combinable with GARliano covers, light deflection 14°
Material	Aluminium EN AW 6060	
Finish	anodised	
Colour	aluminium	
Length	1000 mm	
Width	27,4 mm	
Height	7,9 mm	17,91 mm

For other lengths please replace the last digit of the article number by: 2 = 2.01m / 3 = 3.02m / 5 = 5.03m



COVER

	62398851	62399821	62399841	62399851	62399861	62399871
Description	anodised aluminium cover	Diffuser opal, for a homogenous and glare-free light distribution	Diffuser high, opal, 180° for an all round homogenous light emission	Diffuser satined, little light consumption and hiding technical view at the same time	Diffuser clear, for maximum light yield and protection of the LED strip	prisma cover to reduce the dazzling effect
Material	aluminium	PMMA				
Version	aluminium	opal white		satined	clear	prisma
Transmission in %	0	77		84	91	
Length	1000 mm					
Width	27,4 mm		30 mm		27,4 mm	
Height	7,9 mm		27,8 mm		7,9 mm	

For other lengths please replace the last digit of the article number by: 2 = 2.01m / 3 = 3.02m / 5 = 5.03m



COVER FOR INDIRECT LIGHTING

	62399371
Description	Diffuser satined, for a diffused light distribution and concealment of the technology
Material	PMMA
Version	satined
Transmission in %	85
Fire protection class	B2 DIN4102
Length	1000 mm
Width	14,8 mm
Height	8 mm

For other lengths please replace the last digit of the article number by: 2 = 2.01m / 3 = 3.02m / 5 = 5.03m

END CAPS

	62398817	62399846
Description	2 x alu end caps, incl. 8 screws	2 x end caps frosted for plastic cover high 180° item no. 6239984#
Material	aluminium	plastics
Colour	aluminium	transparent opalweiß
Length	2 mm	
Width	30 mm	
Height	60 mm	20 mm

Note: The screws for the end caps must be placed and screwed in at a right angle (90°) to the screw channel and may only be screwed in with a max. tightening torque of 0.35 Nm to prevent the screw head from unscrewing or the screw from overtightening (recommended bit PH1).



ACCESSORIES

	62399816	62399817	62399919	62399934	62399936	65300160
Description	reflectortape with a light reflection of >97%, sold by the metre, suitable for CATania profile	reflectortape with a light reflection of >97%, suitable for CATania profile	1x profile connector, incl. locking screws, suitable for GARgano, GARliano, CATania profile	2x brackets 5cm, incl. screws and dowels, suitable for profiles of the BARdolino family	1x profile 90°-connector, incl. 2 locking screws, suitable for GARgano, GARliano profile	suspension for ceiling installation (2x 150cm wire cable Ø 1mm with M3 thread, 2x suspension brackets) incl. screw nuts
Material	polymer material		steel	aluminium	steel	various
Finish	reflecting		nickel-plated	anodised	galvanized	chrome-plated
Colour	weiß		silver grey	Aluminium	silver grey	silber
Length		10000 mm	45 mm	50 mm	30,4 mm	1500 mm
Width	15,5 mm		10 mm	14,8 mm	30,4 mm	1 mm
Height	0,4 mm		2 mm	7,8 mm	2 mm	1 mm
Remarks	Please note that the reflector tape has to be fitted on both sides of the stripe. That means for a 2m luminaire you need 4m reflector tape!					For mounting an additional holder set 62399934 is required for each suspension set.



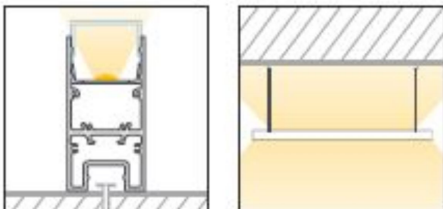
All aluminium profiles and covers are subject to certain length tolerances. This is +20/-0 mm irrespective of the length, i.e. a profile has at least the specified length, but can be up to 20 mm longer.

If you require an exact length, please specify this when ordering (article number 62397000).

Please note that the materials aluminum and PMMA can expand when the temperature changes vary greatly. With a temperature change of 20°C the expansion difference can be up to 1.2 mm per meter! This is no deficiency of the product but a normal physical process.

Installation note: If you directly install two aluminum profiles edge to edge (without end caps), please pay attention during installation, that you don't glue the LED strip directly over the joint, since the profiles at temperature fluctuations - especially at large lengths - will expand/contract (s. section 1) and then the LED tape may be damaged. At joints the LED strip has to be cut at the marked positions and reconnected with flexible solder bridges with corresponding expansion reserve (min. 5mm).

Installation situations



Intended Use

Profile:

- The LED profiles are a component for the reception of LED strips approved for this purpose. In combination with optional accessories such as covers, end caps, inserts, etc., LED luminaires can be produced which are used exclusively for general lighting or accent lighting and therefore do not serve emergency or safety lighting in particular.

- The assembly is carried out via appropriate holders or suspensions, which are offered as accessories. For brackets we recommend 3 brackets per running meter. The profiles are designed for mounting on a stable and straight surface. Depending on the substrate and local conditions, a higher number of brackets may be required and/or the installation material supplied (screws/plugs) must be replaced with suitable mounting material. The brackets must not be bent during assembly, as this has an influence on the holding force. It may not be possible to use the holders provided. Alternatively, the profile can be screwed directly to the substrate. In any case, the installer must ensure that the system is held securely.
- Make sure that the profile expands due to thermal influences. Sufficient space must be kept available for this purpose..
- The mounting instructions for the LED strips and power supplies must be viewed separately.
- The profile is to be used exclusively for the above shown installation situations.

Covers:

- All plastic covers made of PMMA have first-class photometric properties, but are very brittle due to the material, which means that the cover can splinter when subjected to mechanical influences (bending, sawing, other processing). There is a risk of injury, wear safety glasses and gloves! Plastic covers made of PC are not affected.
- PMMA or PC have a higher coefficient of thermal expansion than aluminium. This means that light slits may appear at the joints and terminations of the plastic covers, especially when the unit is not yet at operating temperature..
- To ensure that the cover is held securely, it must be clipped into the holding groove provided for this purpose along its entire length. In any case, the installer must ensure that the system is held securely.
- Alcoholic detergents remove plasticizers from the plastic profiles, which means that they lose their flexibility and can form cracks even when installed. We recommend cleaning only with a damp (clear water), soft cloth.

Accessories (end caps, holders, etc.):

- An LED profile and its accessories are not toys - these components may only be operated by persons who can assess the risks involved in handling them. There is a danger of swallowing small parts.

NOTES

Press marks or slight scratches on profiles are production-related and do not constitute a defect.

Loose, wipeable impurities may appear on the aluminum and plastic profiles. This is due to the production and its handling and does not represent a defect. We generally recommend cleaning the profiles with a soft, lint-free cloth (if necessary with a little clear water) before installation. The LED bonding surface must also be free of grease to ensure good adhesion of the LED strip. Corresponding information can be found in the instructions for the LED strips.

The adhesion of our LEDlight flex strips to the profiles we offer and their different surfaces has been tested and can be ensured if the processing instructions are followed. If there are adhesion problems between LED strips and aluminum profiles, we recommend pre-treatment with the adhesion promoter "3M™ Tape Primer 94".

The guarantee period for the product is 5 years and begins on the day of shipment. Reference is the date of the delivery bill. The guarantee period may differ for accessories.