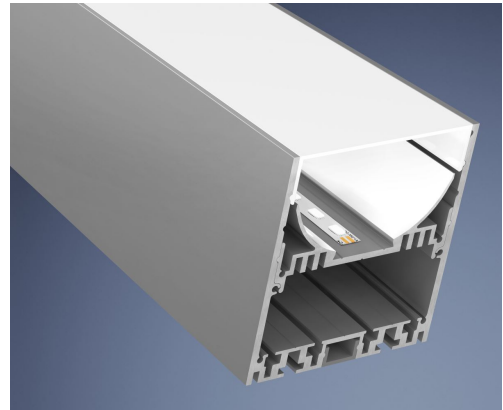


# CATania 8090 luminaire profile

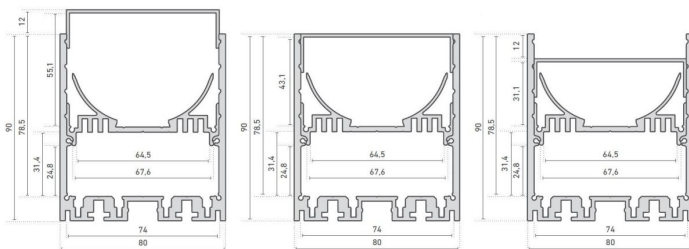
- high quality luminaire aluminium profile, anodised
- for mounting of very high performance LED strips or boards
- indirect illumination possible on the rear side of the profile
- integrateable power supply 66000315
- the cover can be installed in 3 levels (shielded, flush or 180°)
- increased light output through white powder coated reflector integrated in the profile insert
- extended accessories available for luminaire assembly
- in combination with an opal white cover and compatible LEDlight flex, a homogenous light distribution can be achieved
- RAL powder coating on request



Please refer to the notes on expansion and assembly at the end of the data sheet!

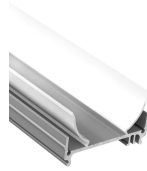
## ALUMINIUM PROFILE

	62399741	62399742	62399743	62399745
<b>Description</b>	aluminium anodized			
<b>Colour</b>	aluminium			
<b>Length</b>	1000 mm	2010 mm	3020 mm	5030 mm
<b>Width</b>	80 mm			
<b>Height</b>	90 mm			
<b>Material</b>	Aluminium 6063			



## INLAY

	62399781	62399782	62399783	62399785
<b>Description</b>	CATania 80 insert profile, aluminium, anodised, for installation of LED strips or PCBs according to Zhaga class L28W2 and L56W2; white powder coated reflective surface for increased luminous efficiency			
<b>Material</b>	aluminium			
<b>Finish</b>	powder-coated			
<b>Colour</b>	aluminium + weiss			
<b>Length</b>	1000 mm	2010 mm	3020 mm	5030 mm
<b>Width</b>	74 mm			
<b>Height</b>	35,5 mm			



## COVER

	62399751	62399761	62399771
<b>Description</b>	Diffuser clear, for maximum light yield and protection of the LED strip	Diffuser satined, for a diffused light distribution and concealment of the technology	Diffuser opal, for a homogenous and glare-free light distribution
<b>Material</b>	PMMA		
<b>Version</b>	clear	satined	opal white
<b>Length</b>	1000 mm		
<b>Width</b>	73,9 mm		
<b>Height</b>	18,5 mm		

For other lengths please replace the last digit of the article number by: 2 = 2.01m / 3 = 3.02m / 5 = 5.03m



## END CAPS

	62399747	62399748
<b>Description</b>	2x end caps, aluminium, anodised, thickness: 2 mm, incl. Screws	2x end caps with screwless visible surface, aluminium, anodised, thickness (excl. fixing clips): 2 mm
<b>Material</b>	aluminium	
<b>Colour</b>	aluminium	
<b>Length</b>	3 mm	12 mm
<b>Width</b>	80 mm	
<b>Height</b>	90 mm	

Note: The screws for the end caps must be placed and screwed in at a right angle (90°) to the screw channel and may only be screwed in with a max. tightening torque of 0.75 Nm to prevent the screw head from unscrewing or the screw from overtightening (recommended bit PH1).



## ANGLE BRACKETS

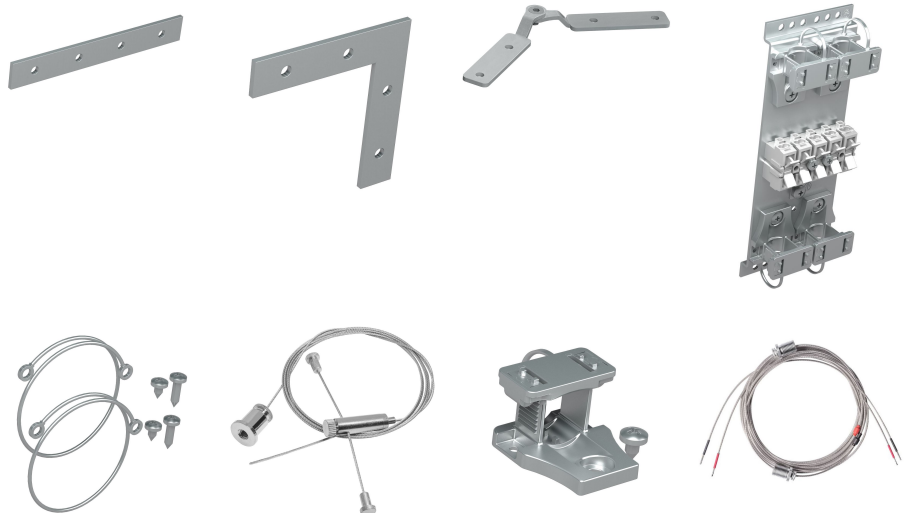
	62398801
<b>Description</b>	2x angle brackets for a 90° wall installation, aluminium, anodised, incl. 1 rounded head screw for attaching the brackets to the profile
<b>Material</b>	aluminium
<b>Length</b>	30 mm
<b>Width</b>	34 mm
<b>Height</b>	30 mm



## ACCESSORIES

	62398802	62398803	62398806	62399786
<b>Description</b>	2x straight connectors, metal, incl. 8 grub screws	2x connectors, 90° angle, metal, incl. 8 grub screws	profile connector set adjustable, 304 stainless steel, 2 pieces, incl. grub screws, for an angled light line	1x connecting terminal, metal, with strain relief and clamps
<b>Material</b>	304 stainless steel			various
<b>Finish</b>	unbehandelt			
<b>Colour</b>	silbergrau			silber
<b>Length</b>	80 mm	50,5 mm	104 mm	150 mm
<b>Width</b>	10,5 mm	50,5 mm	10,5 mm	55 mm
<b>Height</b>	1,7 mm		7 mm	28 mm
<b>Remarks</b>				Kabel Nennquerschnitt 2,5mm <sup>2</sup>

	62398804	62398876	62399787	62399788
<b>Description</b>	2x cable safeguard for CATania insert profiles, length 20 cm, incl. 4 screws	suspension for ceiling mount, metal, nickel-plated. (2x 150 cm wire cable, Ø 1 mm, 2x suspension brackets, 2x Y-profile holder)	strain relief for cable Ø 5-12 mm, plastic, incl. fixing screw	Voltage-carrying wire suspension
<b>Material</b>	stainless steel	aluminium		
<b>Finish</b>	unbehandelt	verchromt		verchromt
<b>Colour</b>	silber			chrom
<b>Length</b>	170 mm		31,2 mm	1500 mm
<b>Width</b>	100 mm		26,8 mm	
<b>Height</b>	5 mm	16 mm	16,7 mm	
<b>Remarks</b>				working load 4kg per rope, copper section 0,5mm <sup>2</sup> , max. 4,5A, metal chrome matt, diameter rope 1,5mm, 2x 2,3m wire ropes, 4x profile holders, for realization of a pendant light with canopy



All aluminium profiles and covers are subject to certain length tolerances. This is +20/-0 mm irrespective of the length, i.e. a profile has at least the specified length, but can be up to 20 mm longer.

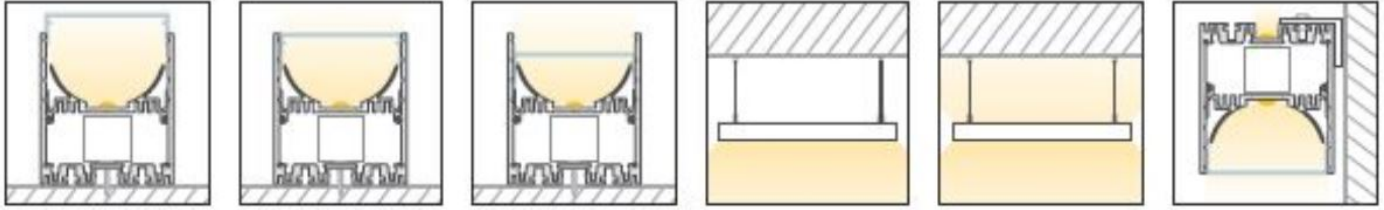
If you require an exact length, please specify this when ordering (article number 62397000).

Please note that the materials aluminum and PMMA can expand when the temperature changes vary greatly. With a temperature change of 20°C the expansion difference can be up to 1.2 mm per meter! This is no deficiency of the product but a normal physical process.

Installation note: If you directly install two aluminum profiles edge to edge (without end caps), please pay attention during installation, that you don't glue the LED strip directly over the joint, since the profiles at temperature fluctuations - especially at large lengths - will expand/contract (s. section 1) and

then the LED tape may be damaged. At joints the LED strip has to be cut at the marked positions and reconnected with flexible solder bridges with corresponding expansion reserve (min. 5mm).

## Installation situations



## Intended Use

### Profile:

- The LED profiles are a component for the reception of LED strips approved for this purpose. In combination with optional accessories such as covers, end caps, inserts, etc., LED luminaires can be produced which are used exclusively for general lighting or accent lighting and therefore do not serve emergency or safety lighting in particular.
- The assembly is carried out via appropriate holders or suspensions, which are offered as accessories. For brackets we recommend 3 brackets per running meter. The profiles are designed for mounting on a stable and straight surface. Depending on the substrate and local conditions, a higher number of brackets may be required and/or the installation material supplied (screws/plugs) must be replaced with suitable mounting material. The brackets must not be bent during assembly, as this has an influence on the holding force. It may not be possible to use the holders provided. Alternatively, the profile can be screwed directly to the substrate. In any case, the installer must ensure that the system is held securely.
- Make sure that the profile expands due to thermal influences. Sufficient space must be kept available for this purpose..
- The mounting instructions for the LED strips and power supplies must be viewed separately.
- The profile is to be used exclusively for the above shown installation situations.

### Covers:

- All plastic covers made of PMMA have first-class photometric properties, but are very brittle due to the material, which means that the cover can splinter when subjected to mechanical influences (bending, sawing, other processing). There is a risk of injury, wear safety glasses and gloves! Plastic covers made of PC are not affected.
- PMMA or PC have a higher coefficient of thermal expansion than aluminium. This means that light slits may appear at the joints and terminations of the plastic covers, especially when the unit is not yet at operating temperature..
- To ensure that the cover is held securely, it must be clipped into the holding groove provided for this purpose along its entire length. In any case, the installer must ensure that the system is held securely.
- Alcoholic detergents remove plasticizers from the plastic profiles, which means that they lose their flexibility and can form cracks even when installed. We recommend cleaning only with a damp (clear water), soft cloth.

### Accessories (end caps, holders, etc.):

- An LED profile and its accessories are not toys - these components may only be operated by persons who can assess the risks involved in handling them. There is a danger of swallowing small parts.

## NOTES

Press marks or slight scratches on profiles are production-related and do not constitute a defect.

Loose, wipeable impurities may appear on the aluminum and plastic profiles. This is due to the production and its handling and does not represent a defect. We generally recommend cleaning the profiles with a soft, lint-free cloth (if necessary with a little clear water) before installation. The LED bonding surface must also be free of grease to ensure good adhesion of the LED strip. Corresponding information can be found in the instructions for the LED strips.

If there are adhesion problems between LED strips and aluminium profiles, we recommend pre-treatment with the "3M™ Tape Primer 94" adhesion promoter. This must be provided by the customer.

The guarantee period for the product is 5 years and begins on the day of shipment. Reference is the date of the delivery bill. The guarantee period may differ for accessories.