

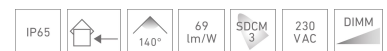
Heatwall 230 V AC

Sauna wall light

- Compact LED surface-mounted wall light for attractive, timeless lighting solutions in wet areas such as saunas, bathrooms or wellness oases
- Luminaire body made of high-quality aluminum, matt brushed (stainless steel look), opal white diffuser made of heat-resistant plastic
- Symmetrical beam angle: 140°
- IP 65 protection rating and IK10 impact resistance rating for use in various environments
- with integrated, dimmable driver (leading/trailing edge phase control) for direct connection to 230 V AC mains voltage
- estimated lifetime L90 at Ta < 80 °C: > 35,000 h



LIGHT DATA



	62423527
Color of body	brushed steel
Typ. color temperature	2700 K
Light color	warm white
Typ. luminous flux	515 lm
Efficiency	69 lm/W
Typ. color rendering index	>90
SDCM MacAdam	3
Beam angle	140 °
Number of LEDs	9

POWER DATA

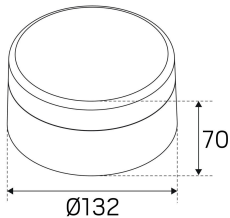
	62423527
Operating voltage AC	230 V AC
Operating current	33 mA
Typ. power	7,5 W

FURTHER DATA

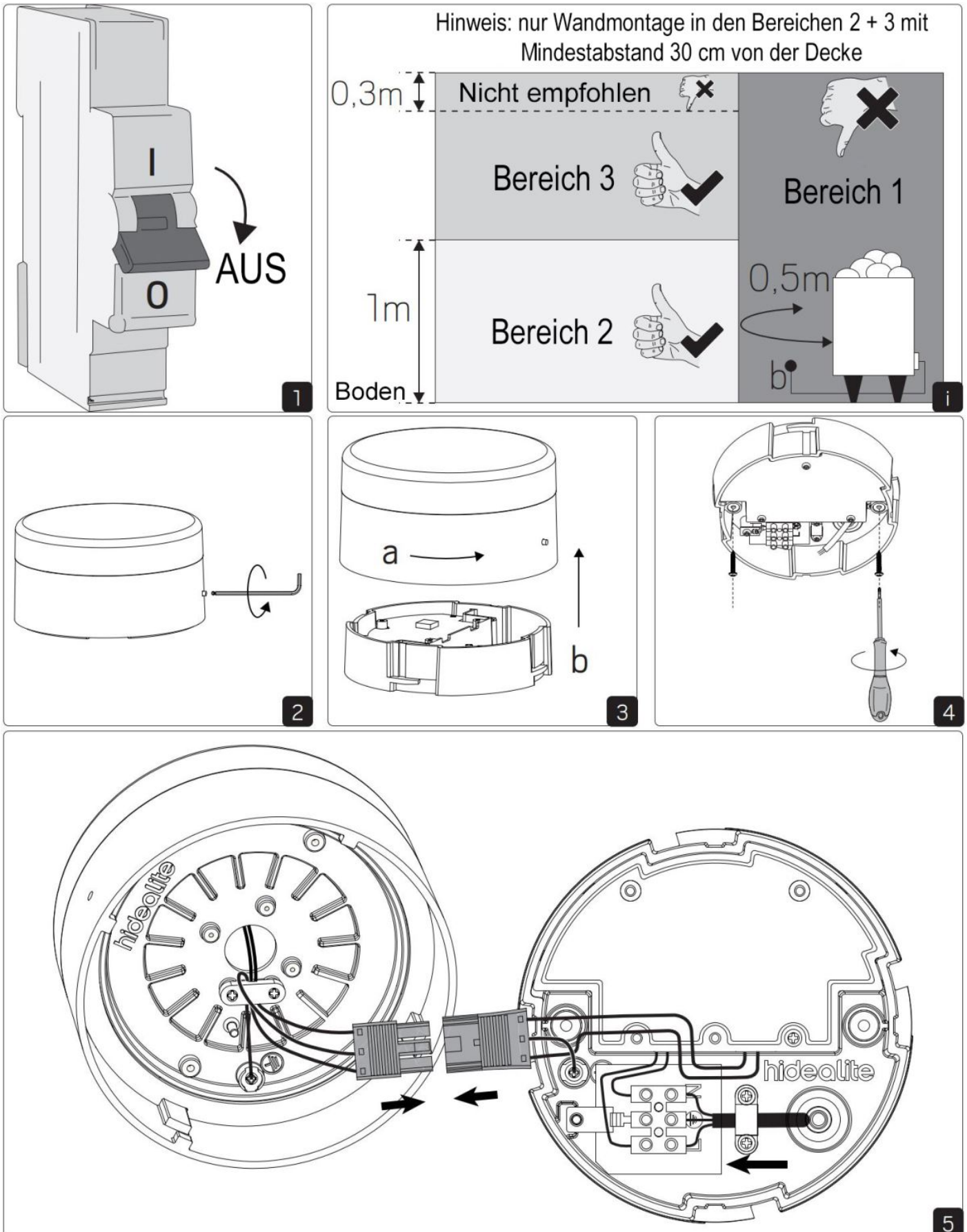
	62423527
Height	70 mm
Diameter	132 mm
dimable via	Leading Edge;Trailing Edge
Driver included	Yes
Type of protection	IP 65
Protection class	I
Indoor/Outdoor	Indoor
Impact resistance	IK10
Mounting type	surface-mounted
Material	aluminium
Finish	brushed
Number of wires	3
Diameter wires	0,5-2,5 mm ²
Connection	screw terminals
Max. ambient temperature Ta	-20 °C ~ +125 °C
Lifetime luminaire L90 at Ta < 80 °C	35000 h
Remarks	Protection against: short circuit, overload

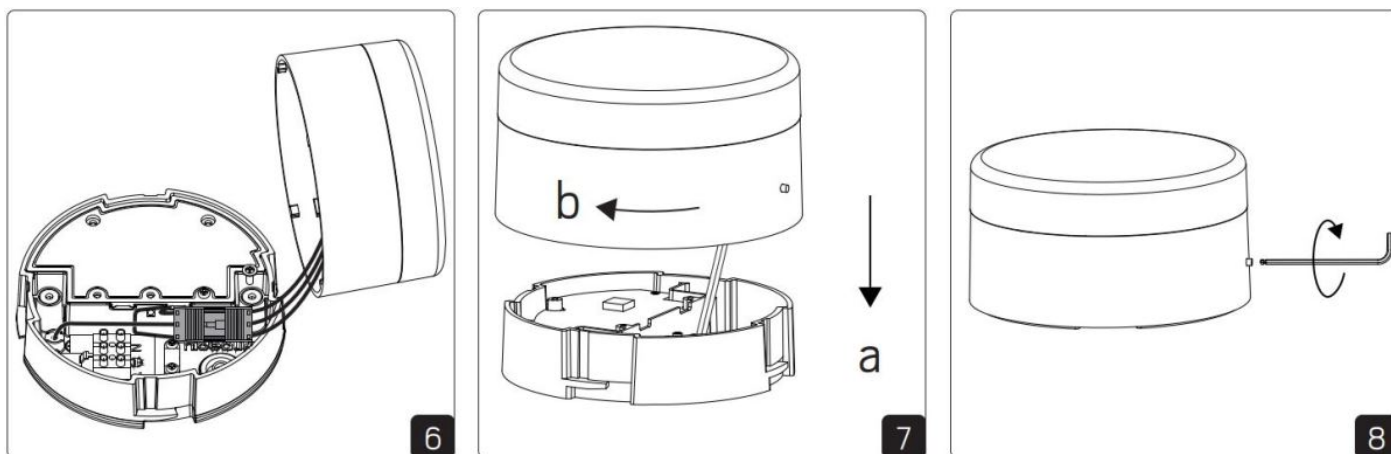
The guarantee period for the product is 5 years and begins on the day of shipment. Reference is the date of the delivery bill. The guarantee period may differ for accessories.

(mm)



MOUNTING





Note: This light may only be connected with a cable that is designed for fixed installation in a sauna cabin or with an equivalent cable with a permissible continuous temperature of at least 170°C.