

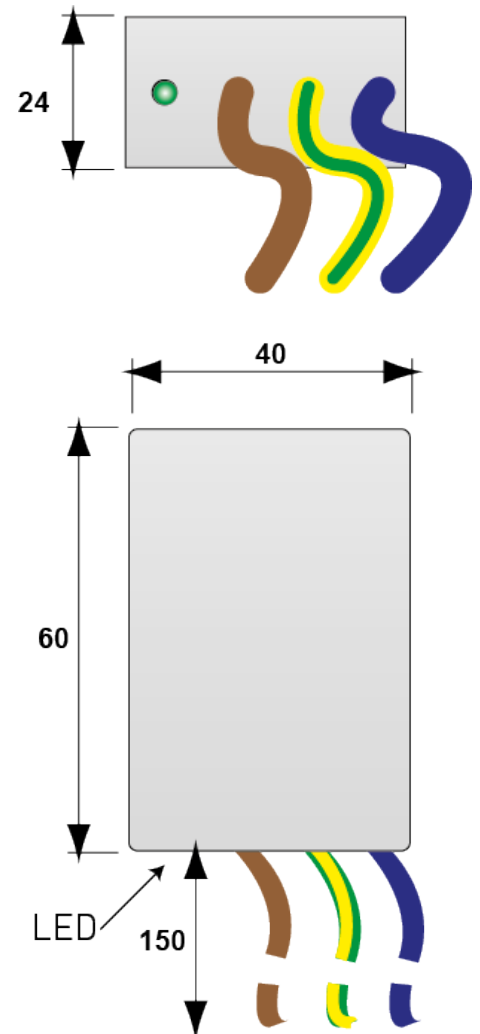


MSB10-400

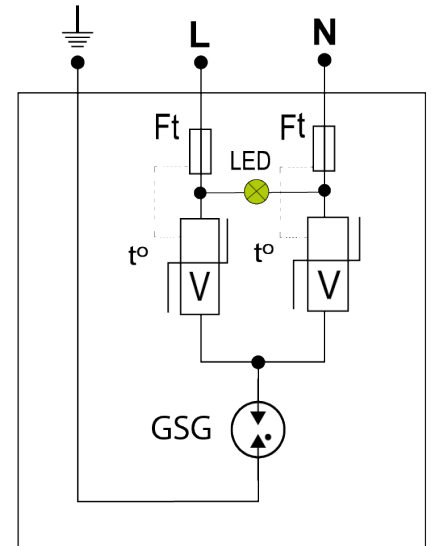
- Compact type 2 (or 3) surge protector
- Wall mounting and hard wired connection
- Status indicators
- IP65



Electrical Characteristics		
SPD type		2+3
Network		230 V single-phase
AC system		TT-TN
Nominal line voltage	U_n	230 V
Max. AC operating voltage L-N	U_c	255 Vac
Temporary Over Voltage (TOV) Characteristics - 5 sec. <i>Without disconnection</i>	U_T	335 Vac withstand
Temporary Over Voltage (TOV) Characteristics - 120 mn <i>Without disconnection or with safety disconnection</i>	U_T	440 Vac disconnection
Operating current <i>Continuous current at U_c</i>	I_c	< 1 mA
Follow current	I_f	None
Nominal discharge current <i>15 x 8/20 μs impulses</i>	I_n	3 kA
Max. discharge current <i>max. withstand @ 8/20 μs by pole</i>	I_{max}	10 kA
Withstand on Combination waveform IEC 61643-11 <i>Class III test: 1.2/50μs - 8/20μs</i>	U_{oc}	6 kV
Withstand on overvoltages IEEE C62.41.1		10 kV / 10 kA
Protection mode(s)		Common/Differential mode
Protection level L/N <i>@ I_n (8/20μs)</i>	U_p L/N	1.5 kV
Protection level L/PE <i>@ I_n (8/20μs)</i>	U_p L/PE	1.5 kV
Protection level CM/DM <i>@ I_n (8/20μs)</i>	U_p mc/ md	1.5 kV / 1.5 kV
Admissible short-circuit current	I_{sccr}	10 000 A
Mechanical Characteristics		
Technology		MOV+GDT
Connection to Network		wires
Mounting		Wall or plate
Housing material		Thermoplastic UL94-V0
Operating temperature		-40/+85°C
Protection rating		IP65
Failsafe mode		Disconnection
Disconnection indicator		Green led OFF
Voltage/operating indicator		Green Led ON
Dimensions		See diagram
Weight		0.116 kg
Disconnectors		
Thermal disconnector		Internal
Installation ground fault breaker		Type 'S' or delayed



Standards	
Standards compliance	IEC 61643-11 / EN 61643-11 / UL1449 4ed.
Certification	UL / EAC / TUV
Part Number	561201



- V: Varistor
- GSG: Specific gas tube
- LED: Disconnection indicator
- Ft: Thermal fuse
- t°: Thermal system disconnection