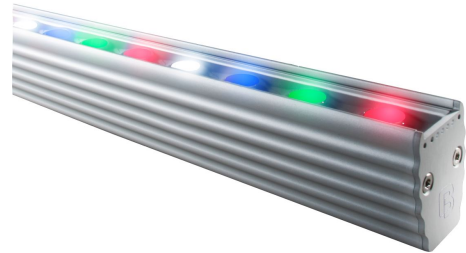


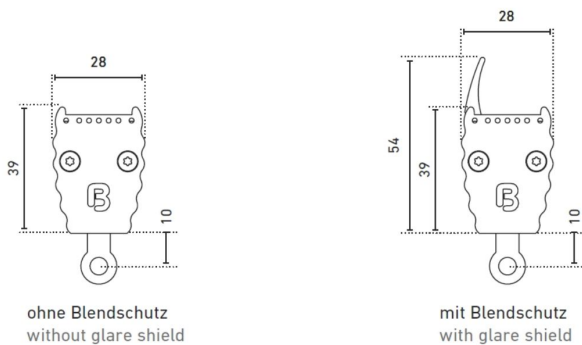
BERgamo 1.2 - Wallwasher 336 mm - Outdoor

Anodised aluminium - RGBW - 3 beam angles

- Elegant wallwasher with high luminous efficacy for architectural surface lighting in outdoor areas
- Seamless and shadowless stringing possible, several luminaires can be operated with one control unit
- 4-channel linear luminaire, 700 mA per channel, equipped with power LEDs
- rich colours for atmospheric façade lighting
- Impact resistance grade: IK10 (only without glare shield)
- Housing made of anodised aluminium
- Outdoor: with high-quality full encapsulation for optimum protection (IP 67)
- Available in three lengths with various optics
- incl. 5 m connection cable with free wire ends



SIDE VIEW OF THE 2 AVAILABLE VARIANTS (WITH CONNECTION CABLE)



LIGHT DATA

	623436172	623436352	623436502	633436172	633436352	633436502
Version	without glare shield with straight cover			with glare shield		
Light color	RGBW					
LED beam angle	17 °	35 °	50x15 °	17 °	35 °	50x15 °
Typ. luminous flux	1550 lm					
Efficiency	53 lm/W					
Number of LEDs	12					

POWER DATA

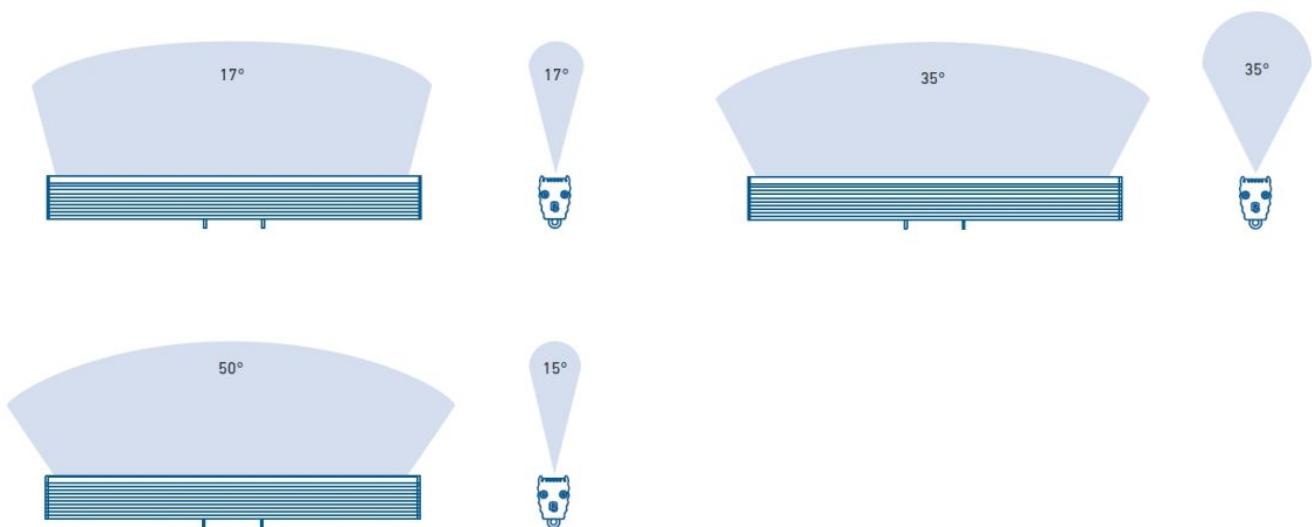
	623436172
Constant voltage/Constant current	CC
Operating current	4x700 mA
Typ. power	29,5 W
Lifetime L70	>60000 h

FURTHER DATA

	623436172	633436172
Material	aluminium	
Finish	anodised	
Color of material	aluminium anodised	
Type of protection	IP 67	
Indoor/Outdoor	Outdoor	
IK impact resistance	IK10	-
Ambient temperature Ta max	55 ° C	
Length	336 mm	
Width	28 mm	
Height	39 mm	54 mm
Weight	350 gr	390 gr
Cable length/cable finishing	5m cable with free wire ends	
Remarks	Impact resistance: IK10 without mounting bracket and cantilever arm	without mounting bracket and cantilever arm

Note: The specifications under "Power data" and "Further data" apply to all respective variants.

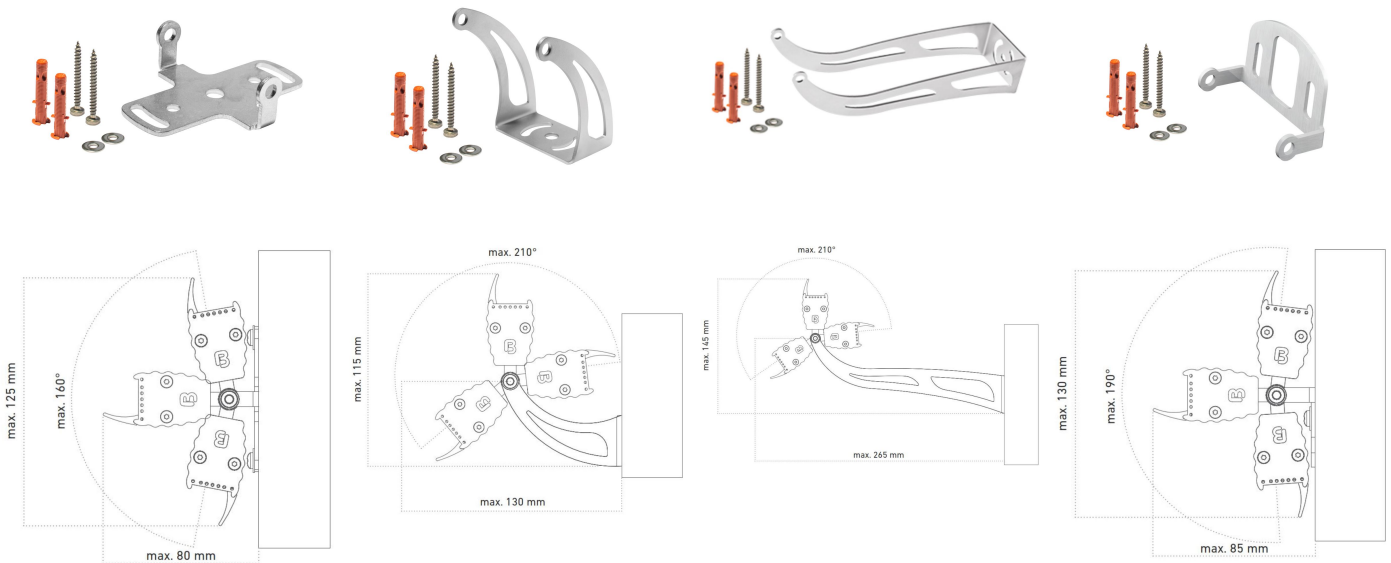
BEAM ANGLE



ACCESSORIES

	62399487	62399488	62399489	62399490
Description	mounting bracket standard, for mounting in ceiling and floor, incl. 2 screws and 2 dowels, distance to wall 15 mm	cantilever arm, for mounting on walls, incl. 2 screws and 2 dowels, distance to wall 65 mm	cantilever arm long, for mounting on walls, incl. 2 screws and 2 dowels, distance to wall 201 mm	Mounting bracket 90° Bergamo, incl. 2 screws and 2 dowels, distance to wall 20 mm
Material	304 stainless steel			
Length	73,7 mm	71,4 mm	206,3 mm	40,6 mm
Width	58 mm			
Height	20,4 mm	55,5 mm	85,5 mm	25,4 mm
Remarks	Mounting bracket V2A steel, nylon dowel, spacer sleeve brass nickel plated, screws, washers, snorkel washer, nut			

Note: Please use two holders for a luminaire length of 996 mm.



NOTE

In the case of series-produced items, the dimensions, weights and designs specified in catalogs etc. are subject to standard commercial and reasonable tolerances of series production. These deviations do not constitute a defect. Even minor deviations in size, color and surface as well as technical modifications shall not be considered a defect. Warranted properties shall only apply if they have been confirmed by us in writing.

The guarantee period for the product is 5 years and begins on the day of shipment. Reference is the date of the delivery bill. The guarantee period may differ for accessories.