

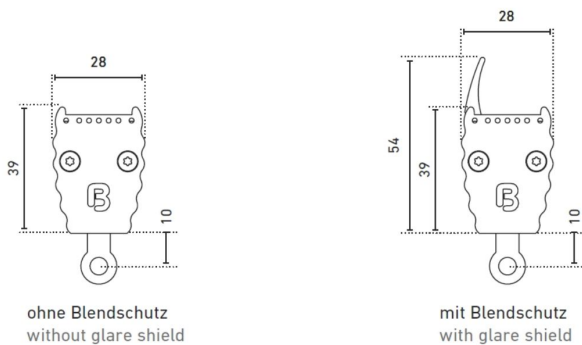
BERgamo 1.2 - Wallwasher 336 mm - Outdoor

anodised aluminium - 3 white tones - 3 beam angles

- elegant wallwasher with high lumen output for indoor and outdoor architectural area illumination
- seamless and shadowless alignment possible, several luminaires operable with one controller
- temperature monitoring, automatic dimming of the LEDs in the case of overheating to protect from damage
- impact resistance: IK10 (without glare shield)
- anodised aluminium housing - coloured anodised on request
- outdoor luminaire with or without glare shield



SIDE VIEW OF THE 2 AVAILABLE VARIANTS (WITH CONNECTION CABLE)



LIGHT DATA

	633427172	633427352	633427502	633430172	633430352	633430502
Version	with glare shield					
dimnable	dimnable					
	623427172	623427352	623427502	623430172	623430352	623430502
Version	without glare shield with straight cover					
Typ. color temperature	2700 K			3000 K		
Light color	warm white			white		
LED beam angle	17 °	35 °	50x15 °	17 °	35 °	50x15 °
Typ. luminous flux	1780 lm			1880 lm		
Efficiency	99 lm/W			104 lm/W		
EEC of installed light source(s)	F					
Typ. color rendering index	83					
SDCM MacAdam	3					
Number of LEDs	12					

	633440172	633440352	633440502
Version	with glare shield		
dimnable	dimmable		
	623440172	623440352	623440502
Version	without glare shield with straight cover		
Typ. color temperature	4000 K		
Light color	cold white		
LED beam angle	17 °	35 °	50x15 °
Typ. luminous flux	1980 lm		
Efficiency	110 lm/W		
EEC of installed light source(s)	F		
Typ. color rendering index	83		
SDCM MacAdam	3		
Number of LEDs	12		

POWER DATA

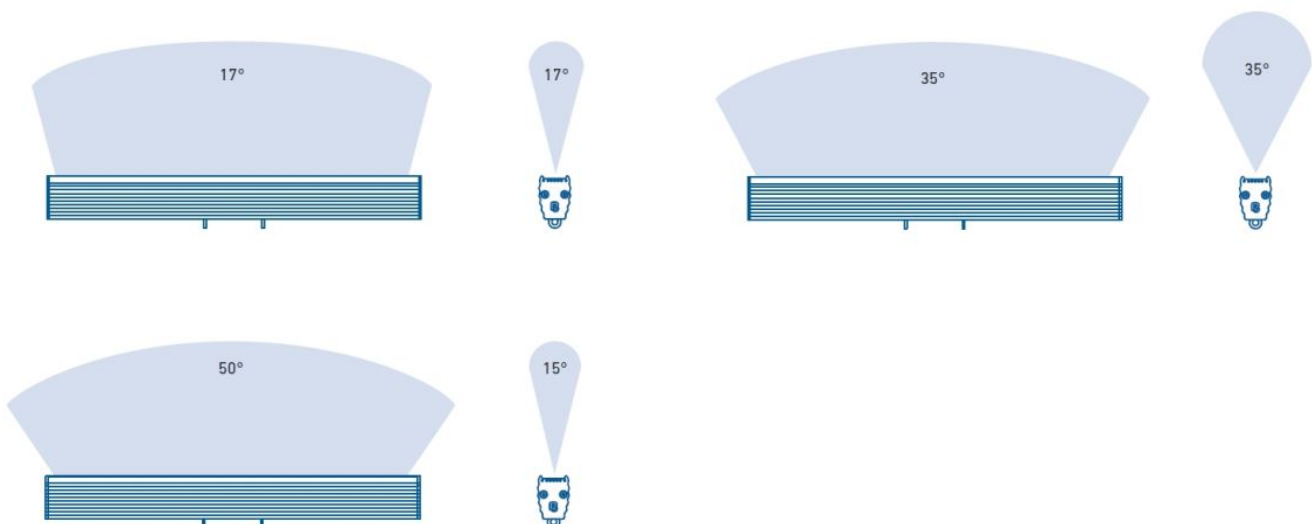
	623427172
Constant voltage/Constant current	CV
Operating voltage	24 V DC
Typ. power	18 W
Lifetime L70	>60000 h

FURTHER DATA

	623427172	633427172
Material	aluminium	
Finish	anodised	
Color of material	aluminium	
Type of protection	IP 67	
Indoor/Outdoor	Outdoor	
IK impact resistance	IK10	-
Ambient temperature Ta max	55 ° C	
Length	336 mm	
Width	28 mm	
Height	39 mm	54 mm
Weight	350 gr	390 gr
Cable length/cable finishing	5m cable with free wire ends	
Remarks	Impact resistance: IK10 without mounting bracket and cantilever arm	without mounting bracket and cantilever arm

Note: The specifications under "Power data" and "Further data" apply to all respective variants.

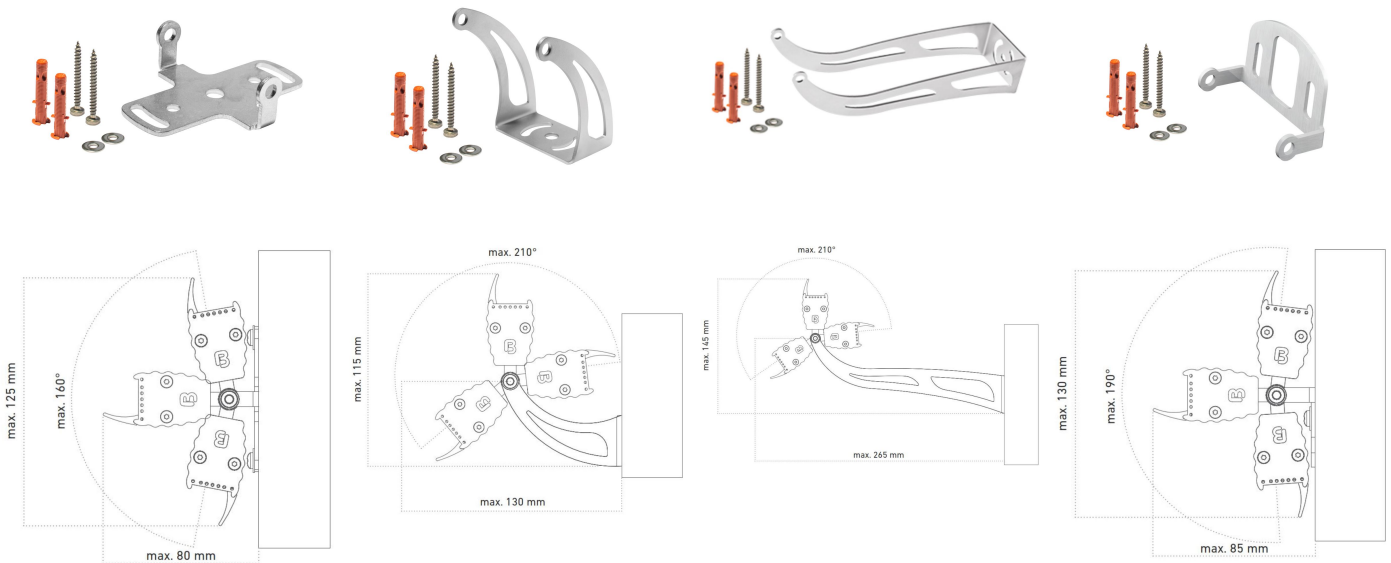
BEAM ANGLE



ACCESSORIES

	62399487	62399488	62399489	62399490
Description	mounting bracket standard, for mounting in ceiling and floor, incl. 2 screws and 2 dowels, distance to wall 15 mm	cantilever arm, for mounting on walls, incl. 2 screws and 2 dowels, distance to wall 65 mm	cantilever arm long, for mounting on walls, incl. 2 screws and 2 dowels, distance to wall 201 mm	Mounting bracket 90° Bergamo, incl. 2 screws and 2 dowels, distance to wall 20 mm
Material	304 stainless steel			
Length	73,7 mm	71,4 mm	206,3 mm	40,6 mm
Width	58 mm			
Height	20,4 mm	55,5 mm	85,5 mm	25,4 mm
Remarks	Mounting bracket V2A steel, nylon dowel, spacer sleeve brass nickel plated, screws, washers, snorkel washer, nut			

Note: Please use two holders for a luminaire length of 996 mm.



NOTE

In the case of series-produced items, the dimensions, weights and designs specified in catalogs etc. are subject to standard commercial and reasonable tolerances of series production. These deviations do not constitute a defect. Even minor deviations in size, color and surface as well as technical modifications shall not be considered a defect. Warranted properties shall only apply if they have been confirmed by us in writing.

The guarantee period for the product is 5 years and begins on the day of shipment. Reference is the date of the delivery bill. The guarantee period may differ for accessories.