

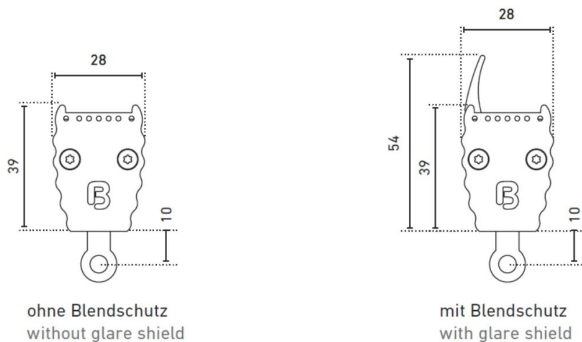
BERgamo 1.2 - Wallwasher 666 mm - Indoor

anodised aluminium - 3 white tones - 3 beam angles

- elegant wallwasher with high lumen output for indoor and outdoor architectural area illumination
- seamless and shadowless alignment possible, several luminaires operable with one controller
- temperature monitoring, automatic dimming of the LEDs in the case of overheating to protect from damage
- anodised aluminium housing - coloured anodised on request
- indoor luminaire with or without glare shield



SIDE VIEW OF THE 2 AVAILABLE VARIANTS (WITH CONNECTION CABLE)



LIGHT DATA

	636627172	636627352	636627502	636630172	636630352	636630502
Version	with glare shield					
dimmmable	dimmmable					
	626627172	626627352	626627502	626630172	626630352	626630502
Version	without glare shield with straight cover					
Typ. color temperature	2700 K			3000 K		
Light color	warm white			white		
LED beam angle	17 °	35 °	50x15 °	17 °	35 °	50x15 °
Typ. luminous flux	3560 lm			3760 lm		
Efficiency	99 lm/W			104 lm/W		
EEC of installed light source(s)	F					
Typ. color rendering index	83					
SDCM MacAdam	3					
Number of LEDs	24					

	636640172	636640352	636640502
Version	with glare shield		
dimnable	dimmable		
	626640172	626640352	626640502
Version	without glare shield with straight cover		
Typ. color temperature	4000 K		
Light color	cold white		
LED beam angle	17 °	35 °	50x15 °
Typ. luminous flux	3960 lm		
Efficiency	110 lm/W		
EEC of installed light source(s)	F		
Typ. color rendering index	83		
SDCM MacAdam	3		
Number of LEDs	24		

POWER DATA

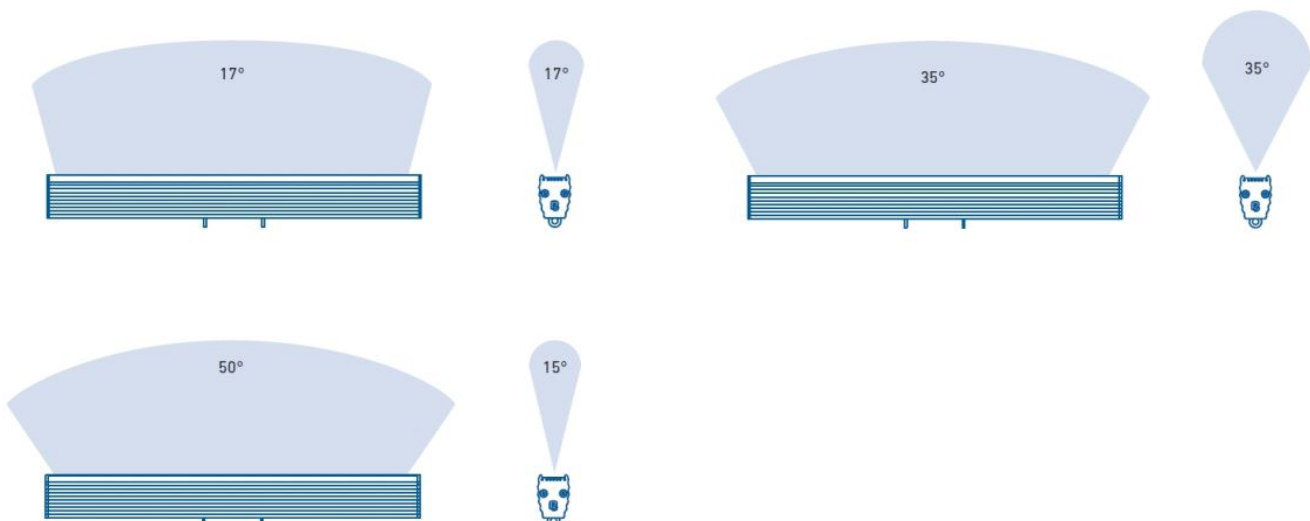
	626627172
Constant voltage/Constant current	CV
Operating voltage	24 V DC
Typ. power	36 W
Lifetime L70	>60000 h

FURTHER DATA

	626627172	636627172
Material	aluminium	
Finish	anodised	
Color of material	aluminium	
Type of protection	IP 30	
Indoor/Outdoor	Indoor	
Ambient temperature Ta max	55 ° C	
Length	666 mm	
Width	28 mm	
Height	39 mm	54 mm
Weight	700 gr	780 gr
Cable length/cable finishing	5m cable with free wire ends	
Remarks	without mounting bracket and cantilever arm	

Note: The specifications under "Power data" and "Further data" apply to all respective variants.

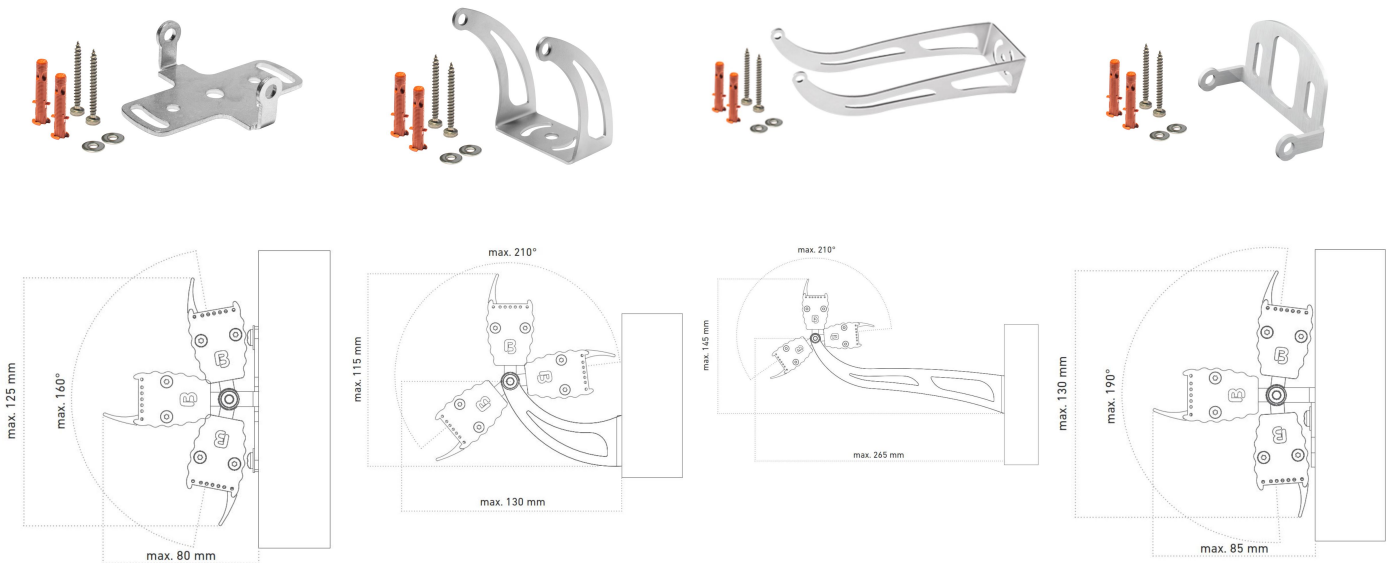
BEAM ANGLE



ACCESSORIES

	62399487	62399488	62399489	62399490
Description	mounting bracket standard, for mounting in ceiling and floor, incl. 2 screws and 2 dowels, distance to wall 15 mm	cantilever arm, for mounting on walls, incl. 2 screws and 2 dowels, distance to wall 65 mm	cantilever arm long, for mounting on walls, incl. 2 screws and 2 dowels, distance to wall 201 mm	Mounting bracket 90° Bergamo, incl. 2 screws and 2 dowels, distance to wall 20 mm
Material	304 stainless steel			
Length	73,7 mm	71,4 mm	206,3 mm	40,6 mm
Width	58 mm			
Height	20,4 mm	55,5 mm	85,5 mm	25,4 mm
Remarks	Mounting bracket V2A steel, nylon dowel, spacer sleeve brass nickel plated, screws, washers, snorkel washer, nut			

Note: Please use two holders for a luminaire length of 996 mm.



NOTE

In the case of series-produced items, the dimensions, weights and designs specified in catalogs etc. are subject to standard commercial and reasonable tolerances of series production. These deviations do not constitute a defect. Even minor deviations in size, color and surface as well as technical modifications shall not be considered a defect. Warranted properties shall only apply if they have been confirmed by us in writing.

The guarantee period for the product is 5 years and begins on the day of shipment. Reference is the date of the delivery bill. The guarantee period may differ for accessories.