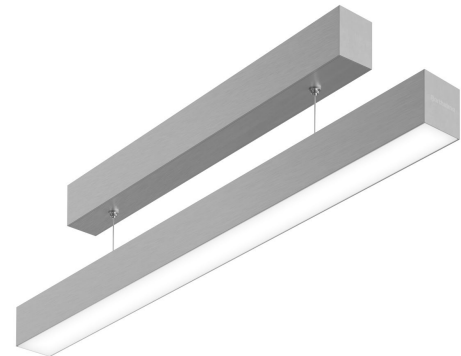


# Messina 4050-P Pendant luminaire 230 V

- elegant pendant luminaire made of anodised aluminium
- compact dimensions - same housing for the canopy and pendant luminaire, thus uniform appearance when combined
- pendulum length can be set individually (factory setting 1,500mm)
- luminaire length is made to order (680 mm - 2,000 mm)
- range of diffusers to choose from depending on the desired effect
- high-quality branded power supply integrated in the canopy
- homogeneous light line with opal white diffuser and suitable LEDlight flex led strip possible



## ARTICLE NUMBER SCHEME

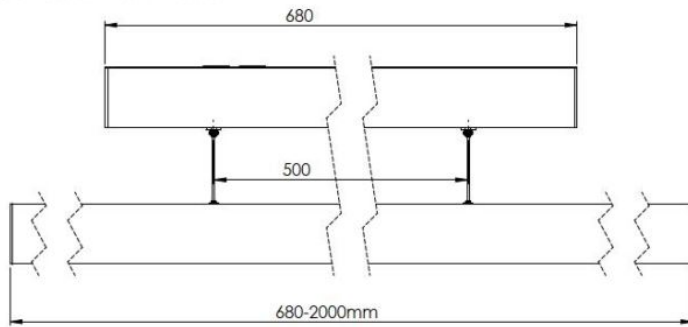
IN NUR 6 SCHRITTEN ZU IHRER INDIVIDUELLEN LEUCHTE |  
IN ONLY 6 STEPS TO YOUR CUSTOMIZED LUMINAIRE

L230	401	05	XXXX	XXXX	XXXX	XXXX
	1	2	3	4	5	6
	PROFIL   PROFILE	TYP   TYPE	LICHTFARBE   LIGHT COLOR	LED-STREIFEN   LED STRIP	WUNSCHLÄNGE IN MM   WISH LENGTH IN MM	ABDECKUNG   DIFFUSER
	Messina 4050	Pendel-leuchte   pendant luminaire	0027 - 2700 K 0030 - 3000 K 0040 - 4000 K	0001 - LEDlight flex 08 8 HIGH EFFICIENCY 0002 - LEDlight flex 08 8 HIGH EFFICIENCY PLUS 0003 - LEDlight flex 08 8 HIGH EFFICIENCY PRO 0004 - LEDlight flex 12 8P HIGH EFFICIENCY 0005 - LEDlight flex 12 8P HIGH EFFICIENCY PLUS 0007 - LEDlight flex 12 8P HIGH EFFICIENCY PRO		0029 - opalweiß opal white 0030 - satiniert satinated 0031 - klar clear 0032 - Prisma prisma 0033 - opalweiß 180° opal white 180°

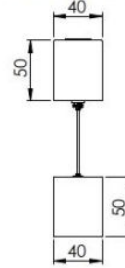
The technical data of the lamp depends on the LED strip you selected in step 4.

## DIMENSIONED DRAWING

### Baldachin mit Pendelleuchte *pendant luminaire*



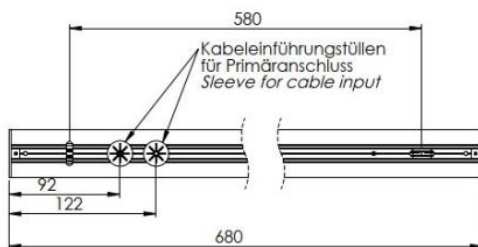
Darstellung mit Standardabdeckung  
depiction with standard diffuser



Darstellung mit hoher Abdeckung  
depiction with high diffuser



### Rückansicht Baldachin (Ohne Leuchte) *rear view (without luminaire)*



## NOTE

In the case of series-produced items, the dimensions, weights and designs specified in catalogs etc. are subject to standard commercial and reasonable tolerances of series production. These deviations do not constitute a defect. Even minor deviations in size, color and surface as well as technical modifications shall not be considered a defect. Warranted properties shall only apply if they have been confirmed by us in writing.

The guarantee period for the product is 5 years and begins on the day of shipment.

Reference is the date of the delivery bill. The guarantee period may differ for accessories.