

Glass Touch DMX 1-channel

remote control optional

- two different layouts available
- several LED-controller via wireless connectable
- optional functional enhancement with remote control
- installation in in-wall socket (following DIN 49073:2007-09)
- direct connection to 230V
- real glass surface reveals premium haptic

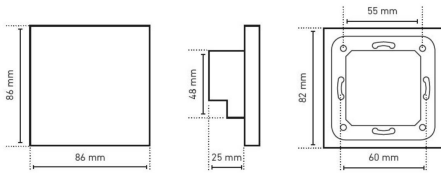


Please note the installation- and safety instructions.

IP44

	66000750	66000751
Product	Glass Touch DMX single-channel I	Glass Touch DMX single-channel II (additional on the surface: 4 fixed brightness values for direct selection: 25%,50%,75%,100%)
Connection via	Screw terminals	
Color of body	weiß	
Ambient temperature	-30 ° C ~ +55 ° C	
Length	86 mm	
Width	86 mm	
Height	37 mm	
Weight	225 gr	
Remarks	Output signals: DMX512; RF 2.4 GHz (for remote control)	

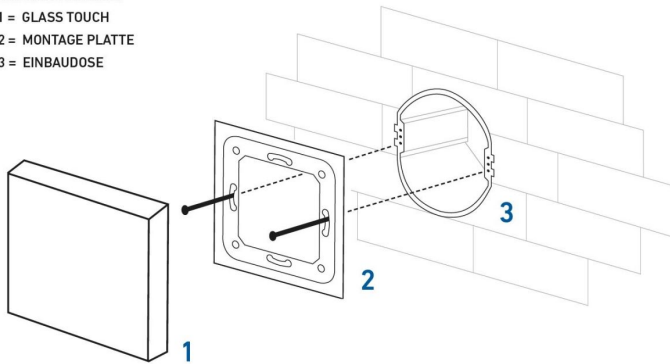
DIMENSIONS



CONNECTION SCHEME

ANSCHLUSSKIZZE:

- 1 = GLASS TOUCH
- 2 = MONTAGE PLATTE
- 3 = EINBAUDOSE



ACCESSORIES

	66000755
Description	Remote control Glass Touch DMX single-channel I and single-channel II
Material	Plastics
Operating voltage DC	3 V DC
Radio frequency	2,4GHz
Colour	weiß
Type of protection	IP 40
Range of temperature	-30 ° C ~ +55 ° C
Length	145 mm
Width	40 mm
Height	12 mm
Weight	64 gr
Remarks	incl. wall-bracket Type of battery: 1 x CR2032