

Glass Touch DMX 2-channel

remote control optional

- several LED-controller via wireless connectable
- optional functional enhancement with remote control
- installation in in-wall socket (following DIN 49073:2007-09)
- direct connection to 230V
- real glass surface reveals premium haptic

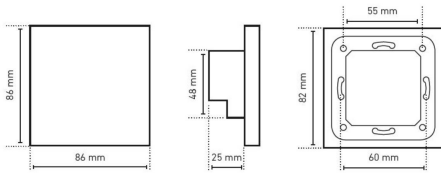


Please note the installation- and safety instructions.

IP44

	66000752
Product	Glass Touch DMX twin-channel
Connection via	Screw terminals
Color of body	weiß
Ambient temperature	-30 ° C ~ +55 ° C
Length	86 mm
Width	86 mm
Height	37 mm
Weight	225 gr
Remarks	Output signals: DMX512; RF 2.4 GHz (for remote control)

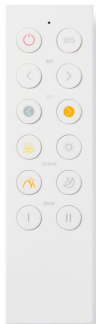
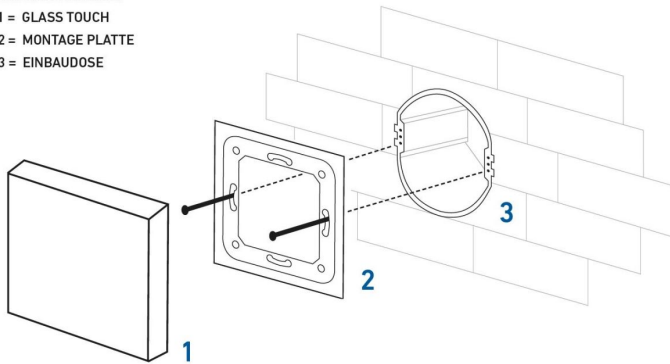
DIMENSIONS



CONNECTION SCHEME

ANSCHLUSSKIZZE:

- 1 = GLASS TOUCH
- 2 = MONTAGE PLATTE
- 3 = EINBAUDOSE



ACCESSORIES

	66000756
Description	Remote control Glass Touch DMX twin-channel
Material	Plastics
Operating voltage DC	3 V DC
Radio frequency	2,4GHz
Type of protection	IP 40
Range of temperature	-30 ° C ~ +55 ° C
Length	145 mm
Width	40 mm
Height	12 mm
Weight	64 gr
Remarks	incl. wall-bracket Type of battery: 1 x CR2032