

# Glass Touch DMX 4-channel

## remote control optional

- several LED-controller via wireless connectable
- optional functional enhancement with remote control
- installation in in-wall socket (following DIN 49073:2007-09)
- direct connection to 230V
- real glass surface reveals premium haptic

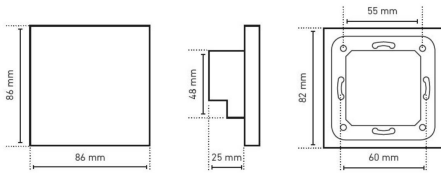


**Please note the installation- and safety instructions.**

IP44

	<b>66000754</b>
<b>Product</b>	Glass Touch DMX quadruple-channel
<b>Connection via</b>	Screw terminals
<b>Color of body</b>	weiß
<b>Ambient temperature</b>	-30 ° C ~ +55 ° C
<b>Length</b>	86 mm
<b>Width</b>	86 mm
<b>Height</b>	37 mm
<b>Weight</b>	225 gr
<b>Remarks</b>	Output signals: DMX512; RF 2.4 GHz (for remote control)

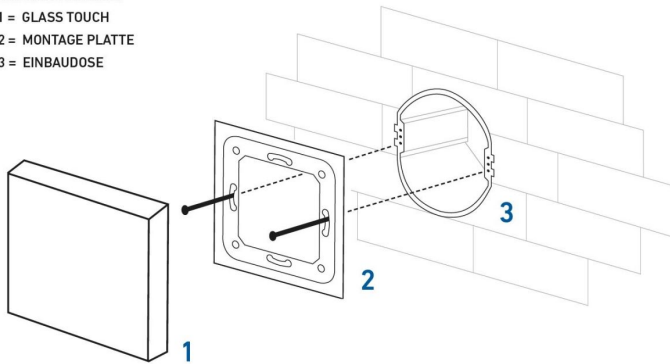
## DIMENSIONS



## CONNECTION SCHEME

ANSCHLUSSKIZZE:

- 1 = GLASS TOUCH
- 2 = MONTAGE PLATTE
- 3 = EINBAUDOSE



## ACCESSORIES

	<b>66000758</b>
<b>Description</b>	Remote control Glass Touch DMX quadruple-channel
<b>Material</b>	Plastics
<b>Operating voltage DC</b>	3 V DC
<b>Radio frequency</b>	2,4GHz
<b>Type of protection</b>	IP 40
<b>Range of temperature</b>	-30 ° C ~ +55 ° C
<b>Length</b>	145 mm
<b>Width</b>	40 mm
<b>Height</b>	12 mm
<b>Weight</b>	64 gr
<b>Remarks</b>	incl. wall-bracket Type of battery: 1 x CR2032